

FP5 Swing Auger system

FP5 Flameless Pothole Patcher



PAVEMENT PRESERVATION SOLUTIONS

**Introductory
Announcement**

Available Immediately

**Retrofit kits available
for existing units**

**Speak to your Bergkamp
Sales representative
about other options
available for your New
FP5 Flameless Pothole
Patcher including:**

- **Secondary auger motor**
- **LED lights**
- **Upgraded arrow boards**
- **Single drum vibratory roller**
- **Traffic cone holders**
- **Shovel holder**
- **Asphalt lutes**
- **Sand spreader attachment**
- **Front cleaning fluid hand sprayer**
- **Additional options available on request**

Bergkamp Inc.

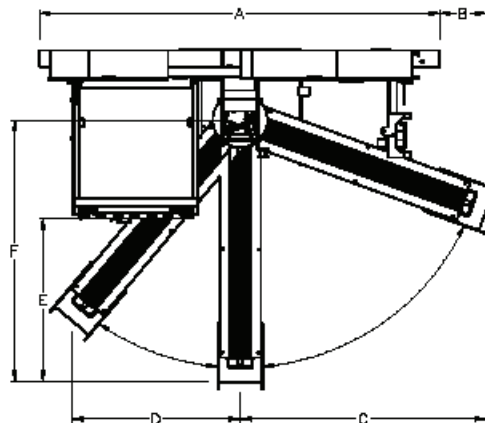
500 E. Schilling Road
Salina, KS. 67401
Office: 785-825-1375
Fax: 785-825-4269

- ▶ The new Swing Auger system for the FP5 Flameless Pothole Patcher is designed to allow precise placement of the asphalt into a pothole while minimizing the hand work traditionally associated with pothole repairs and the repair of deteriorated shoulders.



The swing auger system replaces the standard asphalt chute, and has 110 degrees of swing allowing placement of asphalt mix from the wheel track on the drivers side, to outside of the wheel track on the passenger side. If your truck is equipped with an automatic transmission, the swing auger can be locked into a side auger position which will permit continual placement of mix outside of the passenger wheel track, resulting in quality shoulder or curb and gutter work.

Operating Parameters



WACKER PLATFORM	
A	96in (244cm)
B	12in (30.5cm)
C	62in (158cm)
D	42in (107cm)
E	38in (97cm)
F	60in (152cm)
ROLLER PLATFORM	
A	96in (244cm)
B	7in (18cm)
C	57in (145cm)
D	42in (107cm)
E	38in (97cm)
F	60in (152cm)